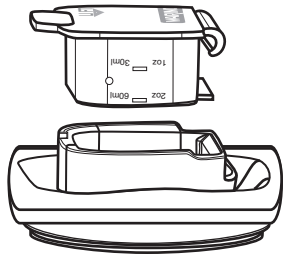


WARING COMMERCIAL®

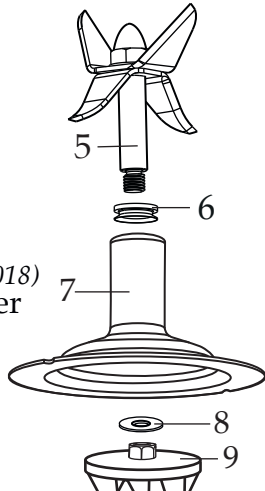
Europe Stainless Steel Bar Blender BB255SE



503365-P

Jar Lid & Polyone Cover

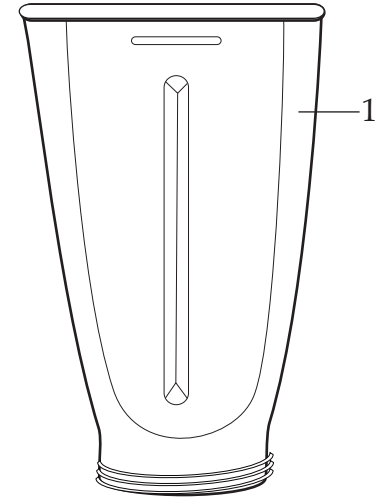
503365-M (last used on 6/18/2018)
Jar Lid & Monoprene Cover



503408
Blending Assembly

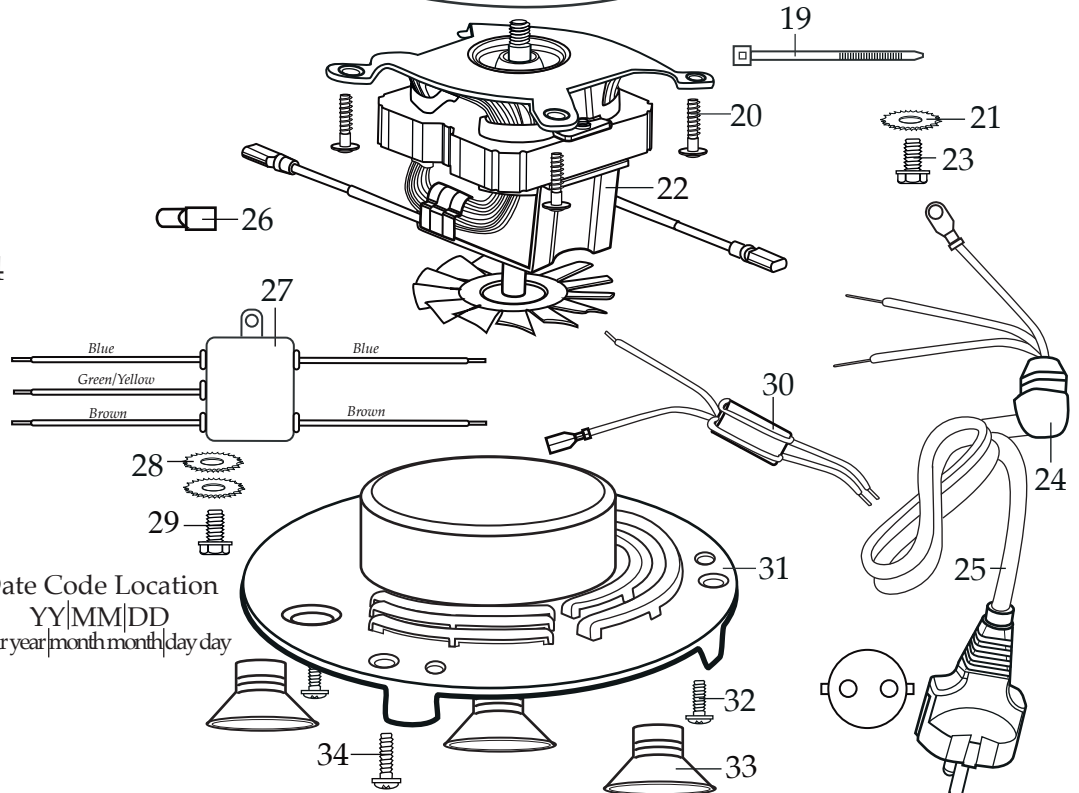
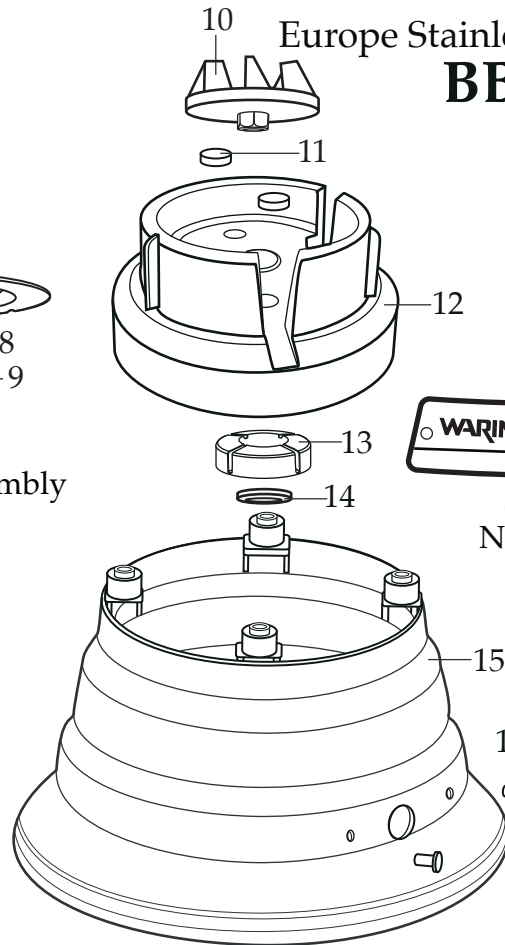


028628
Name Plate



503463

Container Assembly



← Date Code Location
YY|MM|DD
year|year|month|month|day|day

Illustration#	Part#	Description
1	026851	Stainless Steel Container
2	026284	Jar Seal
3	503408	Blending Assembly
4	033826-09	Black Jar Bottom
5	503407	Blade Assembly
6	027716	V Seal
7	503358	Stainless Steel Bearing Holder
8	030426	Nylon Washer
9	032453	Coupling
10	032453	Coupling
11	016094	Hole Plug (2 required)
12	017381-09-R	Black Jar Adapter
13	034612	Housing Seal
14	035756	Stainless Steel Cap Washer
15	030218-09W	Black Wrinkle Base
16	003532	Rivet (2 required)
17	026537	Switch
18	016236	Hex Nut
19	013731	Cable Tie (3 required)
20	033940	Sems (4 required)
21	035381	Chiaphua Motor 230 volts
22	002943	Lock Washer (2 required)
23	027278	Ground Screw
24	013680	Strain Relief
25	503181	Cord Set
26	012409	Small Crimp Connector (5 required)
27	503268	Filter Assembly

Illustration#	Part#	Description
28	002943	Washer
29	027278	Screw
30	503507	Lead/Ferrite Core Assembly
31	035655 503485	Bottom Plate ONLY Bottom Plate Assembly (with cord, feet & strain relief)
32	013659	Screw (2 required)
33	026278	Suction Cup Foot (3 required)
34	018477	Special Screw

